

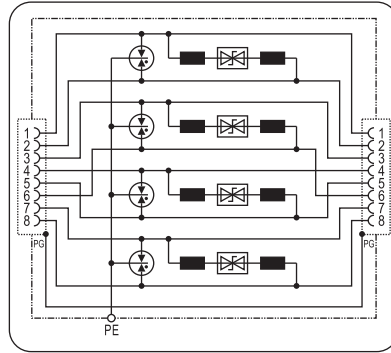
BlitzShield

SPD

BS NP 4TP 3X G48

for standard 19" distribution cabinet

Basic circuit diagram:



• Technical data

Type		BS NP 4TP 3X G48
Art.-No.		670 064
Number of connection ports		24
Nominal voltage	U_N	48V-
Rated voltage (max. continuous voltage)	U_C	48V- / 34V ~
Max. continuous voltage (PoE)	U_c	57V-
Nominal current	I_l	1A
Lightning impulse current(10/350)	I_{imp}	0.15kA (line-PG)
Nominal discharge current (8/20)	I_n	0.15kA (line-line) 2.5kA (line-PG)
Total nominal discharge current (8/20)	I_n	10kA
Nominal discharge current (8/20) (PoE)	I_n	0.15kA (pair-pair)
Voltage protection level at I_n	U_p	≤ 190V (line-line) ≤ 600V (line-PG)
Voltage protection level at I_n (PoE)	U_p	≤ 600V (line-line)
Transmission frequency	f_G	500MHz
Data transmission rates	V_s	1000Mbit/s
Insertion loss at 250MHz	a_E	≤ 2dB
Capacitance	C	≤ 165pF (line-line) ≤ 255pF (line-PG)
Operating temperature range		-40°C...+80°C
Connection (input/output)		RJ45 shield socket
Pinning		1/2, 3/6, 4/5, 7/8
Shield earthing		Indirectly via integrated spark gap
Test standards		IEC 61643-21; GB 18802.21; YD/T 1542
Certification		CE (LVD, EMC)

• Product introduction

1. Summary

BS NP 4TP 3X G48 can be installed at LPZ0_b-2 interface or higher, it can be installed in 19" distribution cabinet, designed according to IEC standard CAT 6 or Class E integrated wiring system, it applies to all the industrial Ethernet 10M, 100M, 1Gbit network surge protection. Applicable to IEEE 802.3at.

2. Main character

- For protecting computer data transmission system, network system and so on
- High discharge capacity, low voltage protection level
- Quick response, high transmission speed, low signal attenuation
- RJ45 connection with 24 ports, 19" distribution board, easy for installation

3. Application

BS NP 4TP 3X G48 is applied in offices and industries like Gigabit Ethernet, ATM or ISDN system, and VoIP or POE system (e.g. Switch, router, HUB, modem and so on).

4. Application environment

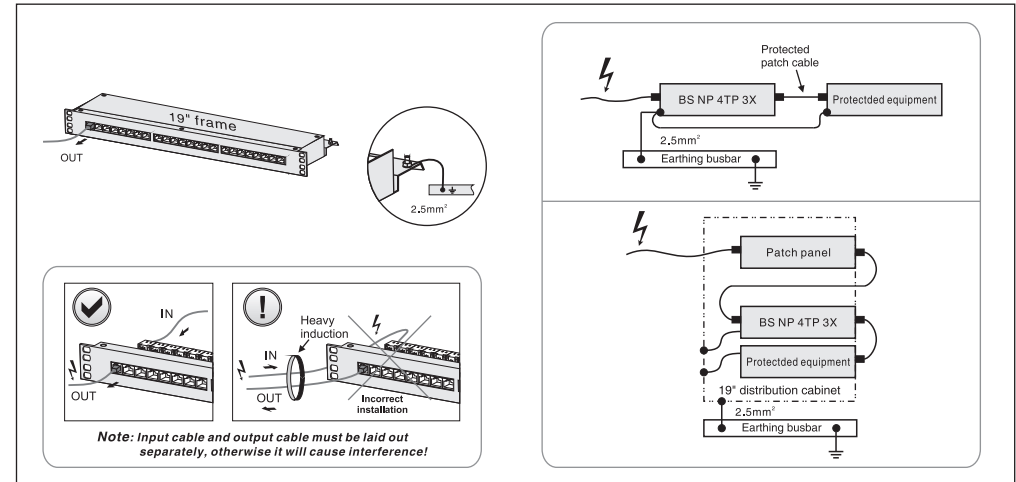
- Temperature: -40°C ~ +80°C
- Relative humidity: ≤ 95% (25°C)

• Installation instruction

1. This product is connected in series to the protected device.
2. Can be mounted in the 19" distribution cabinet.
3. The out terminal should be connected to the protected devices.
4. SPD's earthing terminal must be connected to nearby earthing BusBar or the metal earthing enclosure of protected device.
5. After above, you should ensure the circuit is functioning.

Regularly inspect the operating status, especially after lightning.
Once the communication is off, electrician should check/replace the SPD.

BS NP 4TP 3X G48 installation diagram:



WARNING:

1. The device must be installed by electrically skilled person, conforming to national standards and safety regulations.
2. It is recommended that installation should be done under power off condition.