

BlitzShield

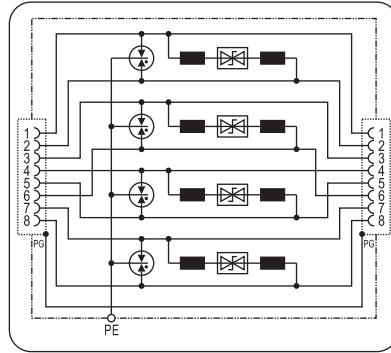
SPD

BS NP 4TP 2X G48

for standard 19" distribution cabinet



Basic circuit diagram:



• Technical data

Type		BS NP 4TP 2X G48	
Art.-No.		670 063	
Number of connection ports		16	
Nominal voltage	U_N	48V-	
Rated voltage (max. continuous voltage)	U_C	48V- / 34V ~	
Max. continuous voltage (PoE)	U_c	57V-	
Nominal current	I_l	1A	
Lightning impulse current(10/350)	I_{imp}	0.15kA (line-PG)	
Nominal discharge current (8/20)	I_n	0.15kA (line-line)	2.5kA (line-PG)
Total nominal discharge current (8/20)	I_n	10kA	
Nominal discharge current (8/20) (PoE)	I_n	0.15kA (pair-pair)	
Voltage protection level at I_n	U_p	$\leq 190V$ (line-line)	$\leq 600V$ (line-PG)
Voltage protection level at I_n (PoE)	U_p	$\leq 600V$ (line-line)	
Data transmission rates	V_s	1000Mbit/s	
Insertion loss at 250MHz	a_E	$\leq 2dB$	
Capacitance	C	$\leq 165pF$ (line-line)	$\leq 255pF$ (line-PG)
Operating temperature range		$-40^{\circ}C...+80^{\circ}C$	
Connection (input/output)		RJ45 shield socket	
Pinning		1/2, 3/6, 4/5, 7/8	
Shield earthing		Indirectly via integrated spark gap	
Test standards		IEC 61643-21; GB 18802.21; YD/T 1542	
Certification		CE (LVD, EMC)	

• Product introduction

1. Summary

BS NP 4TP 2X G48 can be installed at LPZ0_b-2 interface or higher, it can be installed in 19" distribution cabinet, designed according to IEC standard CAT 6 or Class E integrated wiring system, it applies to all the industrial Ethernet 10M, 100M, 1Gbit network surge protection. Applicable to IEEE 802.3at.

2. Main character

- For protecting computer data transmission system, network system and so on
- High discharge capacity, low voltage protection level
- Quick response, high transmission speed, low signal attenuation
- RJ45 connection with 16 ports, 19" distribution board, easy for installation

3. Application

BS NP 4TP 2X G48 is applied in offices and industries like Gigabit Ethernet, ATM or ISDN system, and VoIP or POE system (e.g. Switch, router, HUB, modem and so on).

4. Application environment

- Temperature: $-40^{\circ}C \sim +80^{\circ}C$
- Relative humidity: $\leq 95\%$ ($25^{\circ}C$)

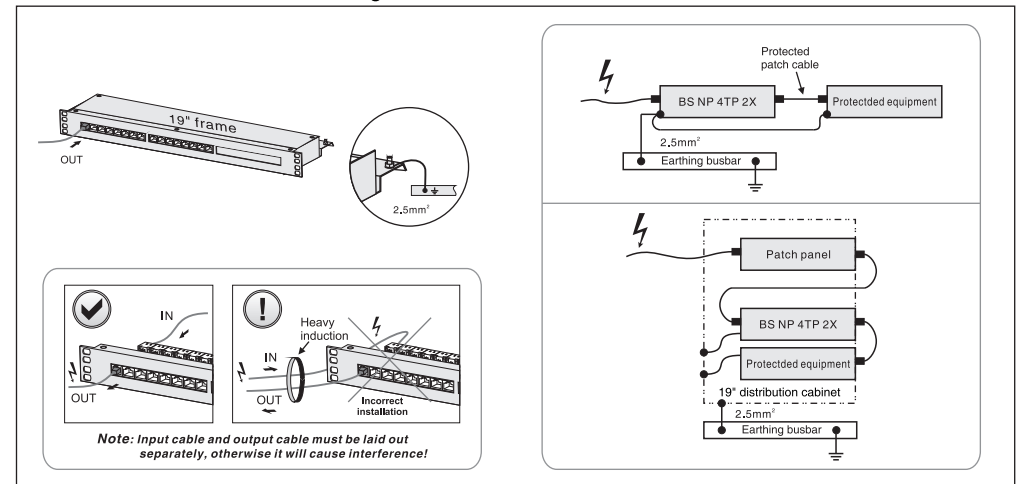
• Installation instruction

1. This product is connected in series to the protected device.
2. Can be mounted in the 19" distribution cabinet.
3. The out terminal should be connected to the protected devices.
4. SPD's earthing terminal must be connected to nearby earthing BusBar or the metal earthing enclosure of protected device.
5. After above, you should ensure the circuit is functioning.

Regularly inspect the operating status, especially after lightning.

Once the communication is off, electrician should check/replace the SPD.

BS NP 4TP 2X G48 installation diagram:



WARNING:

1. The device must be installed by electrically skilled person, conforming to national standards and safety regulations.
2. It is recommended that installation should be done under power off condition.